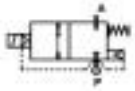


2/2 WAY PILOT OPERATED SOLENOID VALVE, G 1/4" ÷ G 1"



normally closed

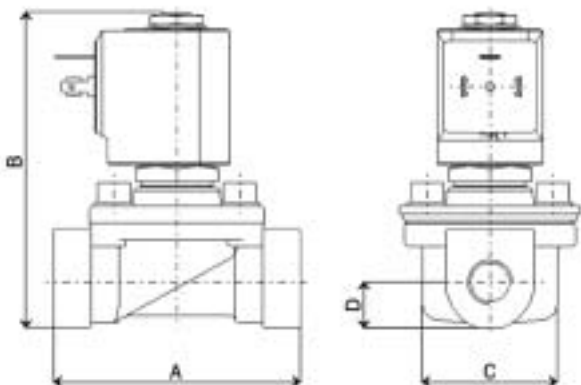
TYPE: D887/888/889/890/892

TECHNICAL SPECIFICATIONS

Media: hot water, steam
Media temperature: -10°C ÷ +150°C
Ambient temperature: -10°C ÷ +70°C
Body material: brass (CW617N EN 12165)
Orifice material: stainless steel (AISI 303 EN 10088-3)
Operator material: stainless steel
Operator seal material: EPM PX 70/80
Diaphragm material: PTFE
Main seal material: EPM PX 70/80
Coil power: AC 18VA (holding)
AC 36VA (inrush)
DC 22W
Protection class: IP 65 (with connector)



SELECTION TABLE	VALVE	G connection	Nominal Diameter	Flow rate kvs	OPD		COILS		
	Code	[ISO 228]	[mm]	[l/min]	min	max	class "H" only		
					[bar]	AC [bar]	DC [bar]	Code	[Volts/Hz]
	D887DPV	1/4"	11.5	35	0.3	4.5	4.5	7221	24V DC
	D888DPV	3/8"	11.5	50	0.3	4.5	4.5	7201	24V 50/60Hz
	D889DPV	1/2"	11.5	55	0.3	4.5	4.5	7401	110V 50Hz - 120V 60Hz
	D890DPV	3/4"	11.5	70	0.3	4.5	4.5	7601	200V 50Hz - 220V 60Hz
	D892DPV	1"	11.5	75	0.3	4.5	4.5	7701	230V 50Hz - 240V 60Hz



DIMENSIONS & WEIGHTS	G connection	A	B	C	D	weight
	[ISO 228]	[mm]	[mm]	[mm]	[mm]	[Kg]
	1/4"	75	95	53	14	0.5
3/8"	75	95	53	14	0.5	
1/2"	75	95	53	14	0.5	
3/4"	85	105	53	22	0.8	
1"	85	105	53	22	0.8	

Flow direction overseat 1→2