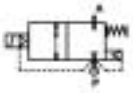


2/2 WAY PILOT OPERATED VALVE WITH ASSISTED LIFT, G 1/4" ÷ G 1/2"



normally closed

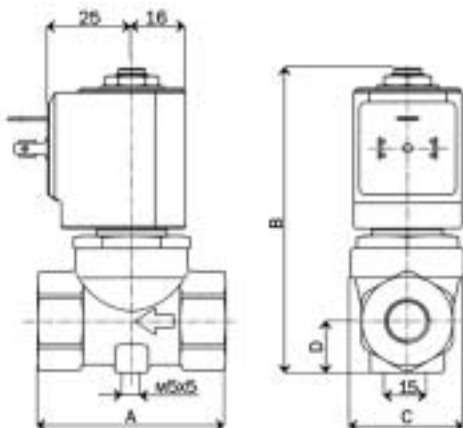
TYPE: D884/885/886

TECHNICAL SPECIFICATIONS

Media:	water, oil, air
Media temperature:	-10°C ÷ +130°C
Ambient temperature:	-10°C ÷ +50°C
Body material:	brass (CW617N EN 12165)
Operator material:	stainless steel
Operator seal material:	FKM
Seal and Diaphragm material:	FKM
Coil power:	AC 18VA (holding) AC 36VA (inrush) DC 14W
Protection class:	IP 65 (with connector)



SELECTION TABLE	VALVE	G connection	Nominal Diameter	Flow rate kvs	OPD			COILS	
					min	max		Code	[Volts/Hz]
	Code	[ISO 228]	[mm]	[l/min]	[bar]	AC [bar]	DC [bar]		
	D884DVU	1/4"	10.5	21	0	16	6	7250	24V DC
	D885DVU	3/8"	10.5	24	0	16	6	7200	24V 50/60Hz
	D886DVU	1/2"	10.5	25	0	16	6	7400	110V 50Hz - 120V 60Hz
								7600	200V 50Hz - 220V 60Hz
								7700	230V 50Hz - 240V 60Hz



DIMENSIONS & WEIGHTS	G connection	A	B	C	D	weight
	[ISO 228]	[mm]	[mm]	[mm]	[mm]	[Kg]
	1/4"	54	89	34	15.5	0.4
	3/8"	54	89	34	15.5	0.4
	1/2"	54	89	34	15.5	0.4