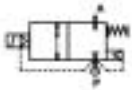


## 2/2 WAY PILOT OPERATED SOLENOID VALVE, G 1/4" ÷ G 1/2"



normally closed

TYPE: D264/265/266

### TECHNICAL SPECIFICATIONS

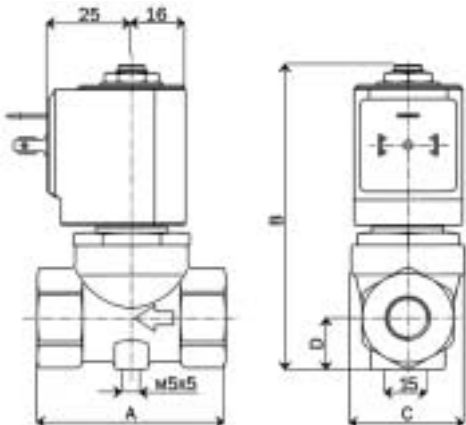
Media:	water, oil, air
Media temperature:	-10°C ÷ +90°C
Ambient temperature:	-10°C ÷ +50°C
Body material:	brass (CW617N EN 12165)
Operator material:	stainless steel
Operator seal material:	NBR
Diaphragm material:	NBR
Coil power:	AC 18VA (holding) AC 36VA (inrush) DC 14W
Protection class:	IP 65 (with connector)



### OPTIONS

FKM seal for air, water, oil MAX 130°C (Ex. code D266DVU)  
EPDM seal for air and hot water MAX 120°C (Ex. code D266DEU)

SELECTION TABLE	VALVE		G connection	Nominal Diameter	Flow rate kvs	OPD		COILS	
	Code	[ISO 228]	[mm]	[l/min]	min	max	Code	[Volts/Hz]	
					[bar]	AC [bar]	DC [bar]		
	D264DBU	1/4"	10.5	21	0.1	16	7	7250	24V DC
	D265DBU	3/8"	10.5	24	0.1	16	7	7200	24V 50/60Hz
	D266DBU	1/2"	10.5	25	0.1	16	7	7400	110V 50Hz - 120V 60Hz
								7600	200V 50Hz - 220V 60Hz
								7700	230V 50Hz - 240V 60Hz



DIMENSIONS & WEIGHTS	G connection	A	B	C	D	weight
	[ISO 228]	[mm]	[mm]	[mm]	[mm]	[Kg]
	1/4"	54	89	34	15.5	0.4
	3/8"	54	89	34	15.5	0.4
1/2"	54	89	34	15.5	0.4	